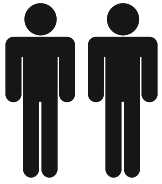
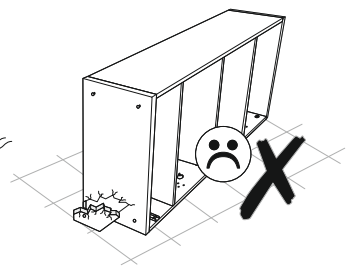
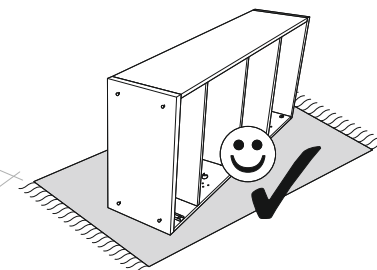
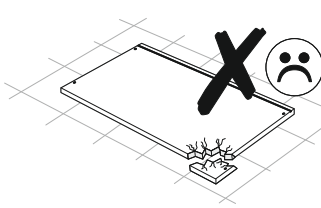
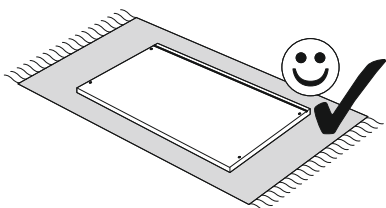
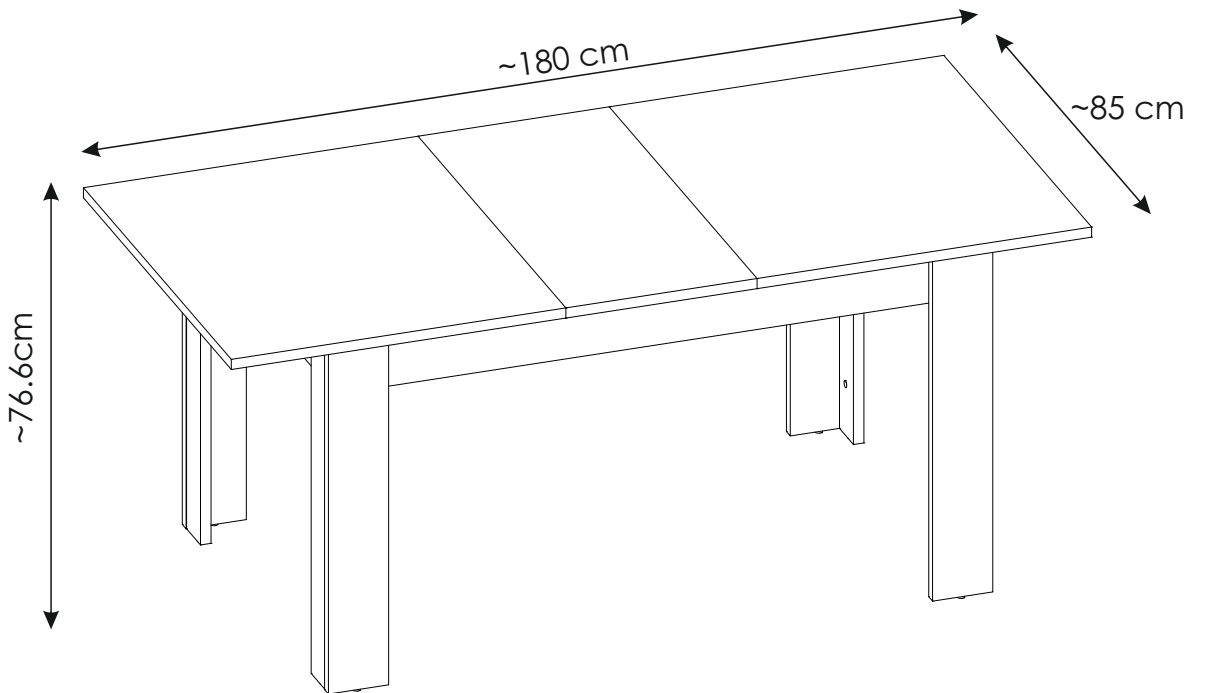
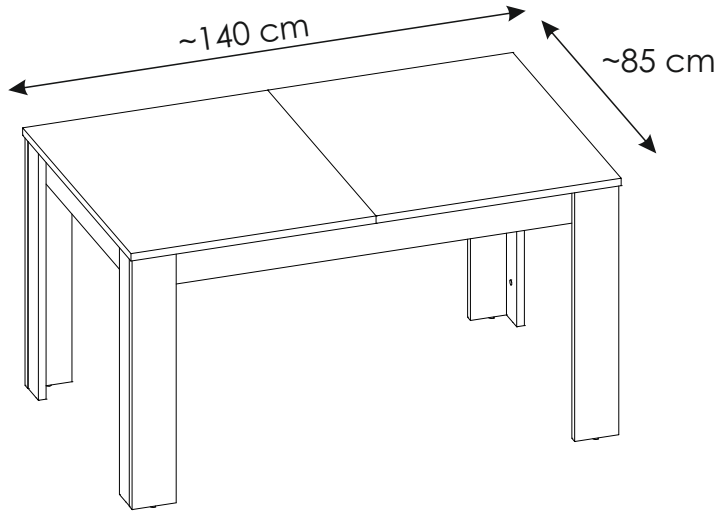
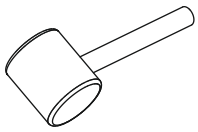
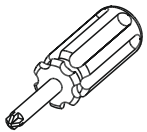
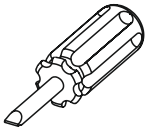
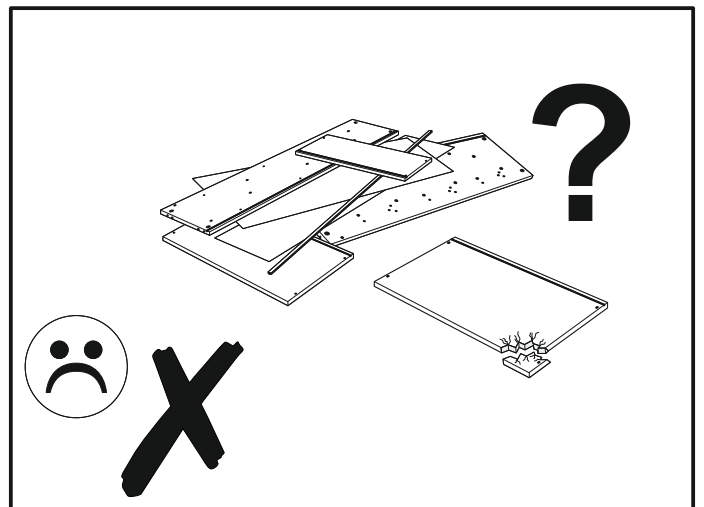
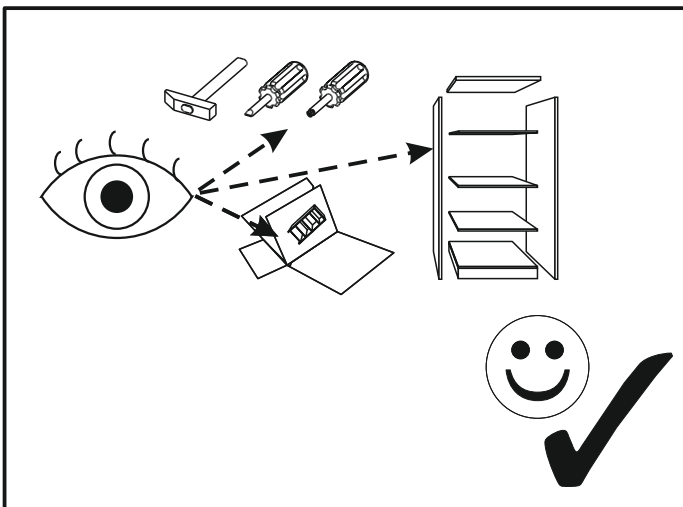
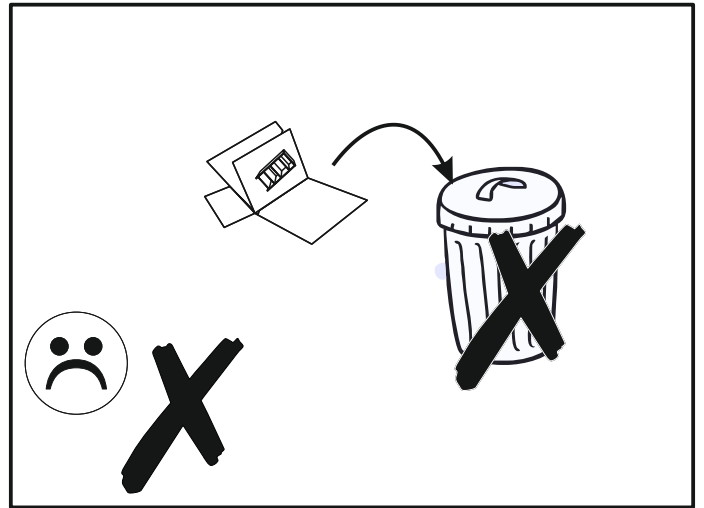
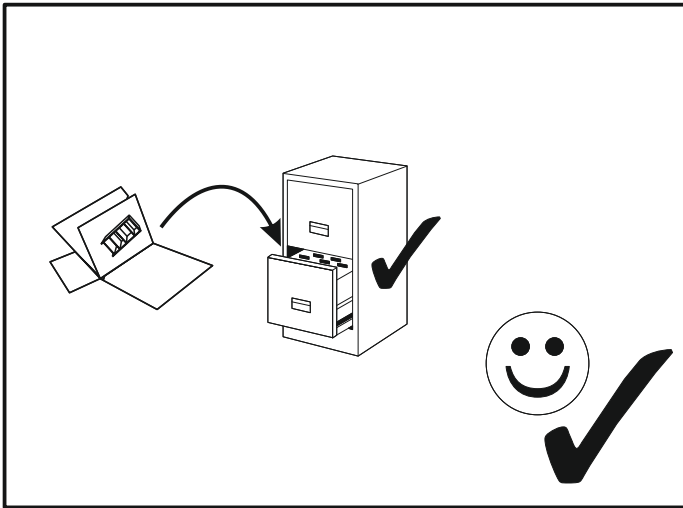
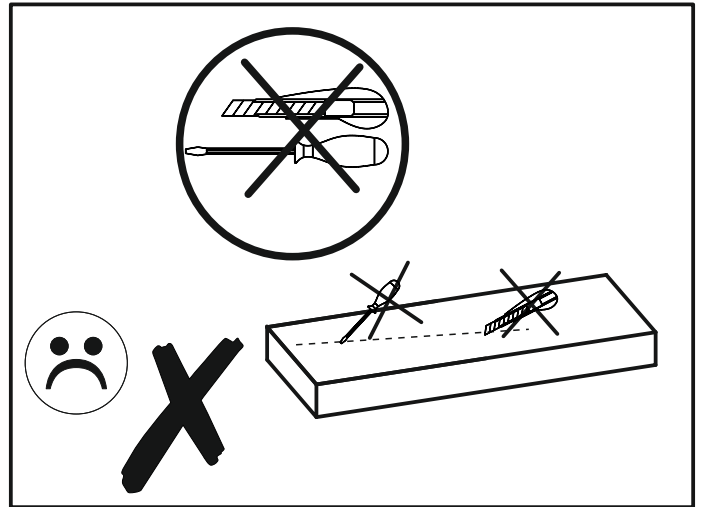
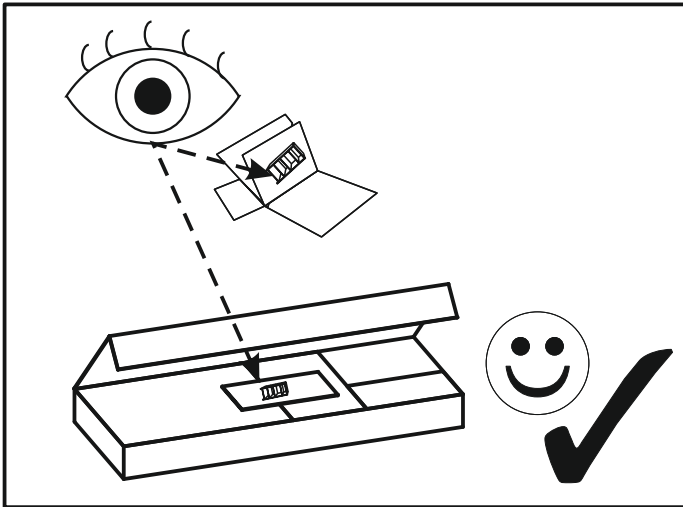


FRIT03

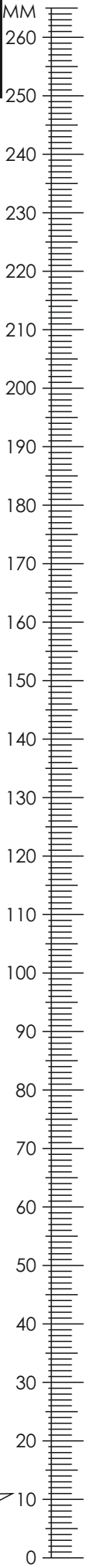



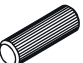
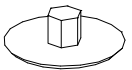

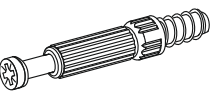
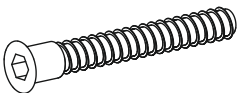

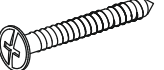
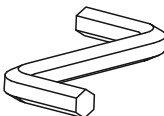
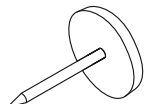
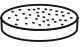
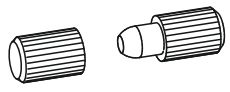
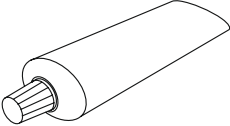
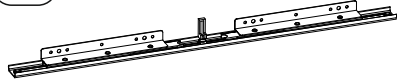
60 MIN

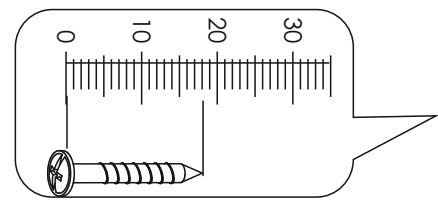




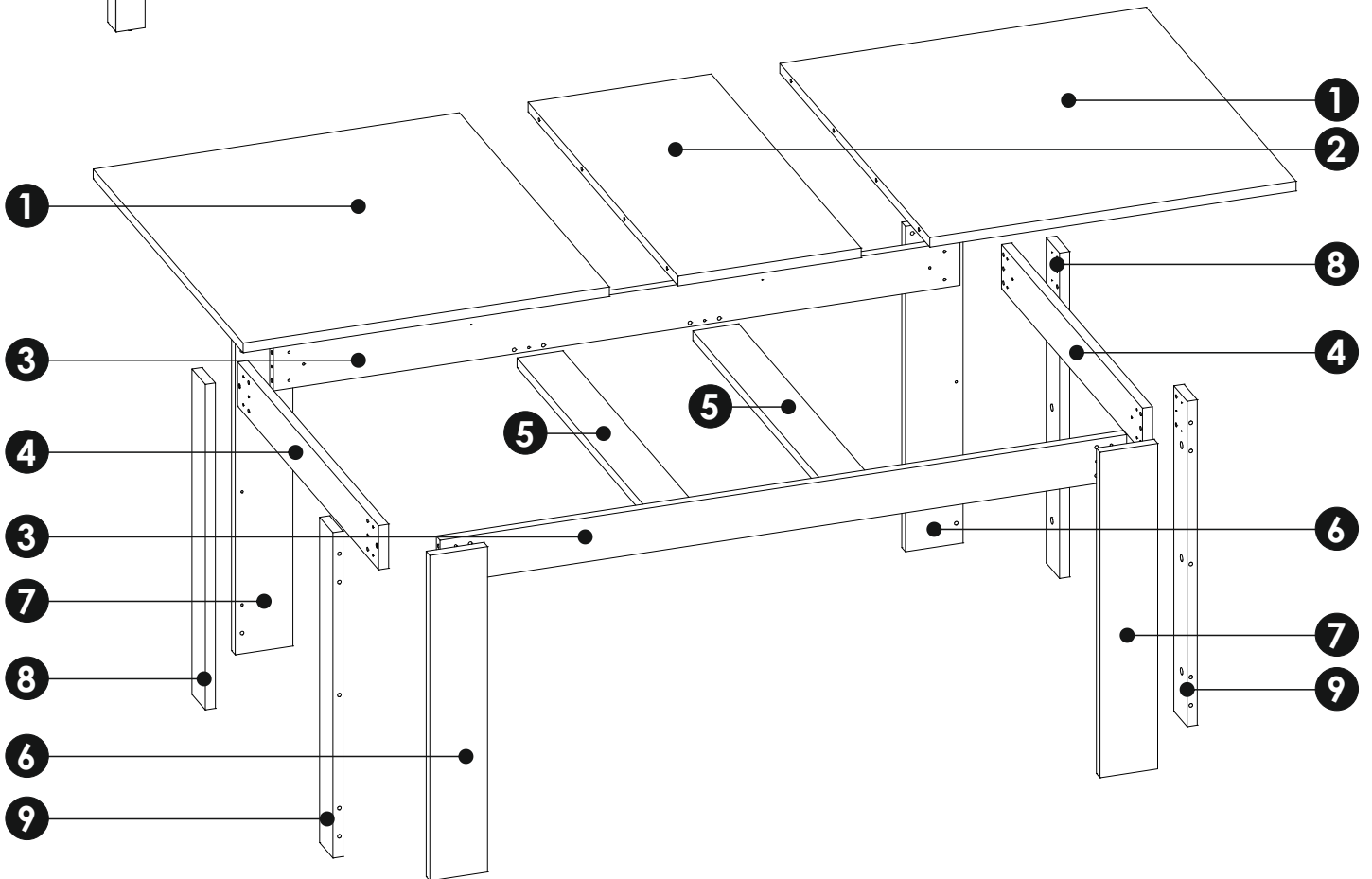
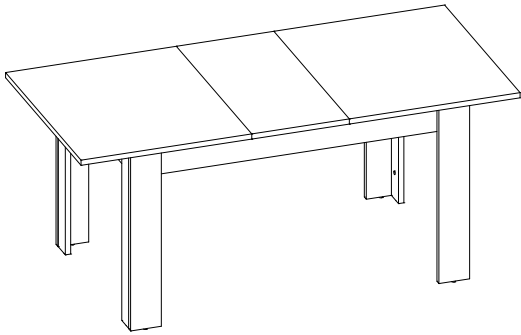
FRIT03



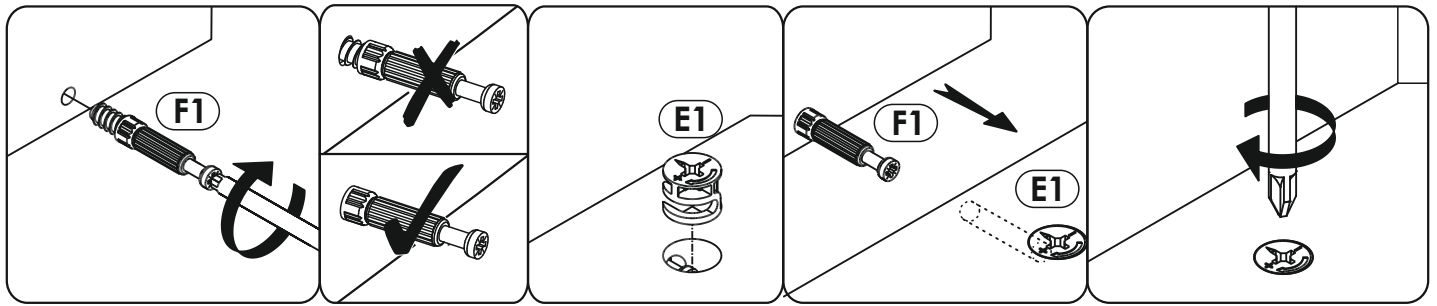
| | | |
|---|---|---|
| A0 8 x 24 mm x16  | A1 8 x 35 mm x24  | E0 Ø16 x16  |
| E1 15 x 12 mm x16  | F1 6 x 34 mm x16  | G2 7 x 60 mm x4  |
| I8 4 x 20 mm x40  | I14 4 x 40 mm x24  | M x1  |
| O2 x8  | O2A ø20 x8  | R8 x8  |
| S x1  | T12 L - 700 mm x2  | |



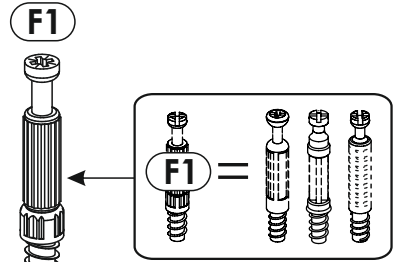
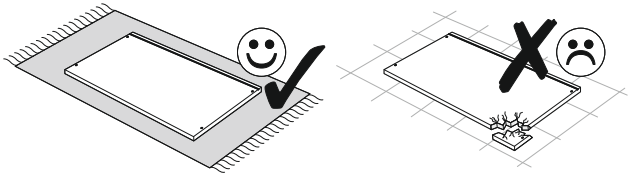
FRIT03



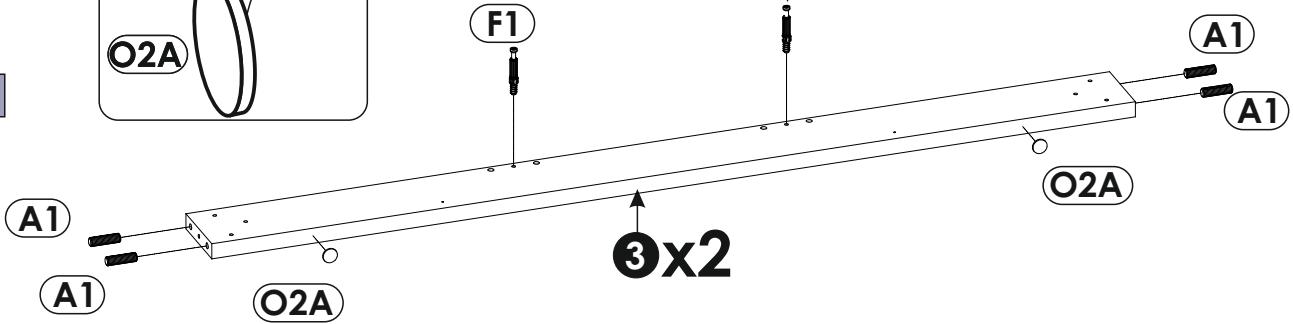
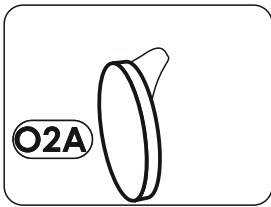
| | | | | | |
|---|------|-----|----|----|-----|
| 1 | 850 | 700 | 22 | x2 | 2/2 |
| 2 | 850 | 400 | 22 | x1 | 2/2 |
| 3 | 1300 | 100 | 22 | x2 | 1/2 |
| 4 | 796 | 100 | 22 | x2 | 1/2 |
| 5 | 752 | 100 | 22 | x2 | 2/2 |
| 6 | 737 | 126 | 22 | x2 | 1/2 |
| 7 | 737 | 126 | 22 | x2 | 1/2 |
| 8 | 737 | 80 | 22 | x2 | 1/2 |
| 9 | 737 | 80 | 22 | x2 | 1/2 |



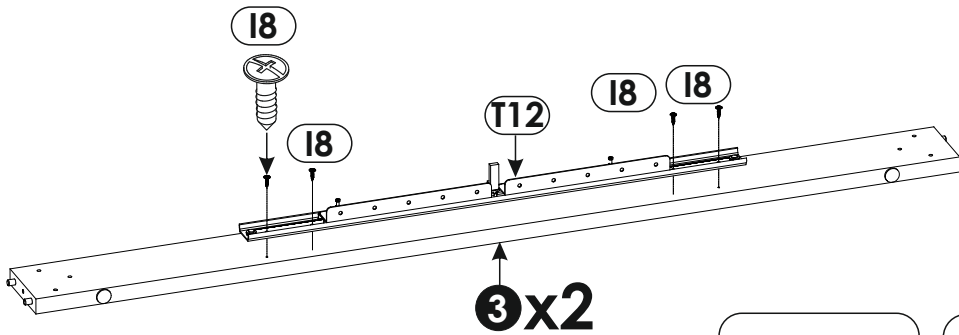
1 ▶



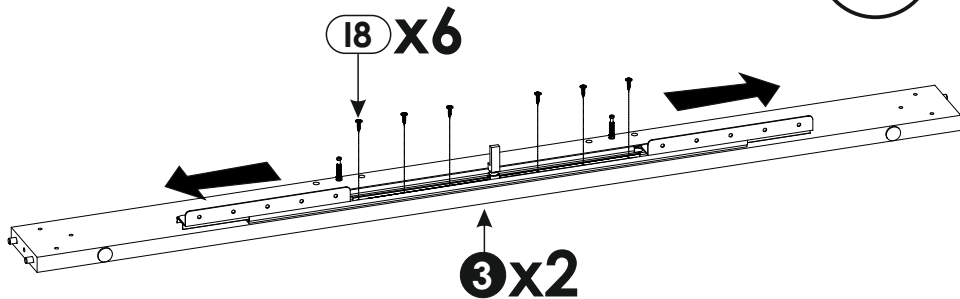
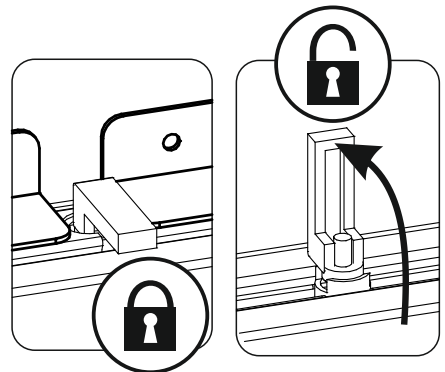
a



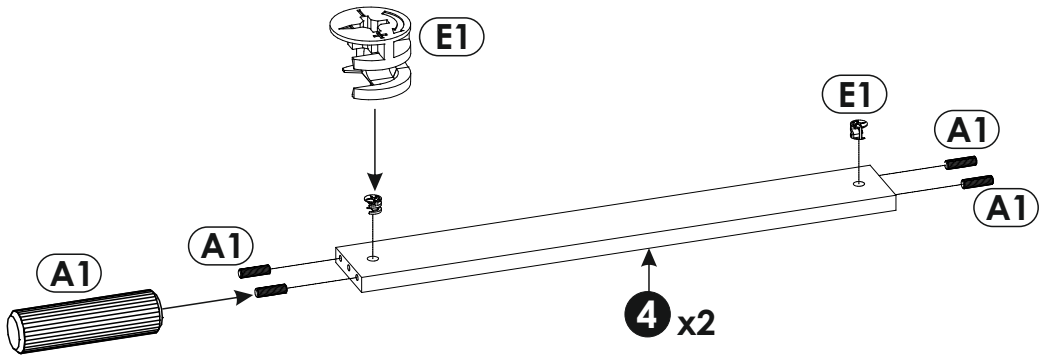
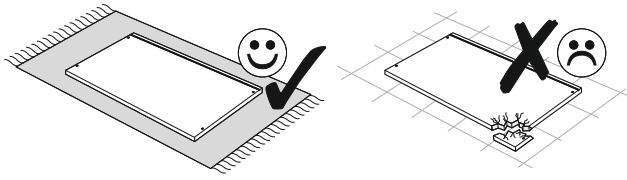
b



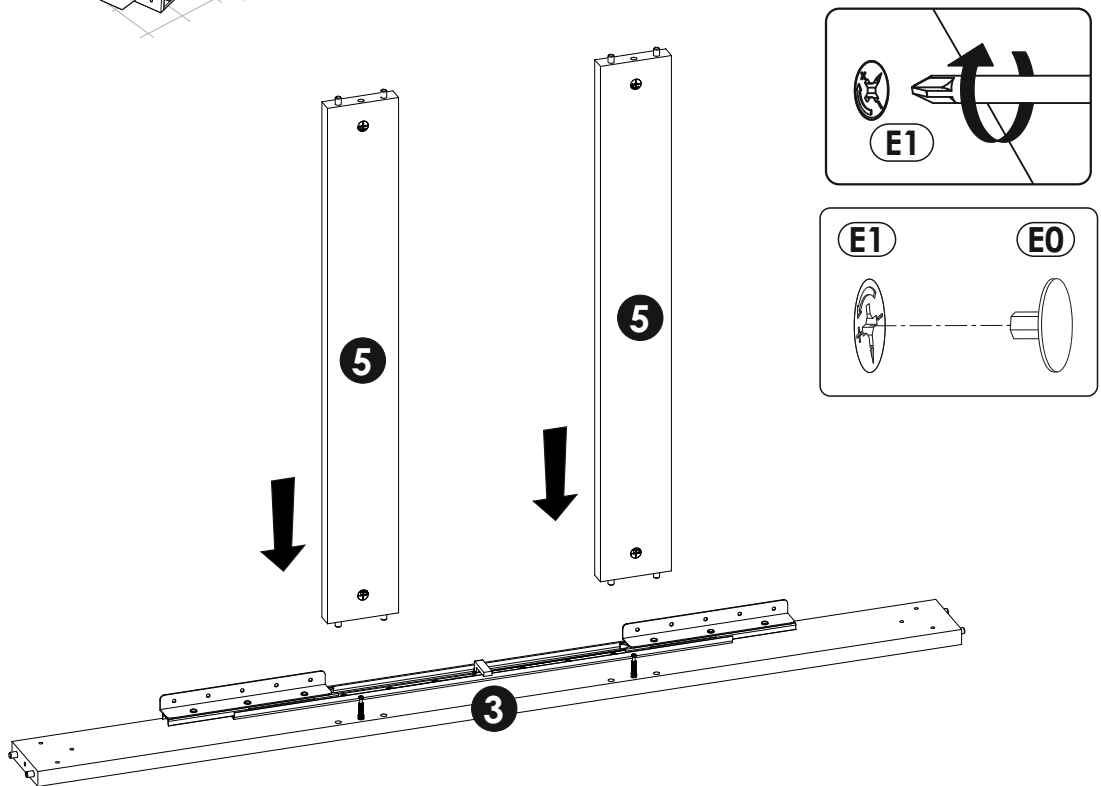
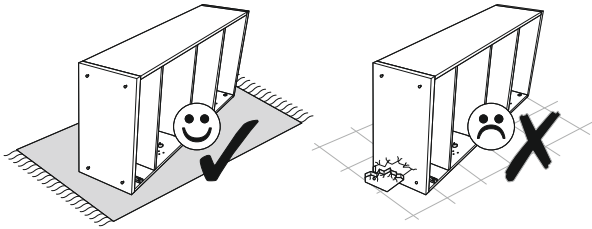
c



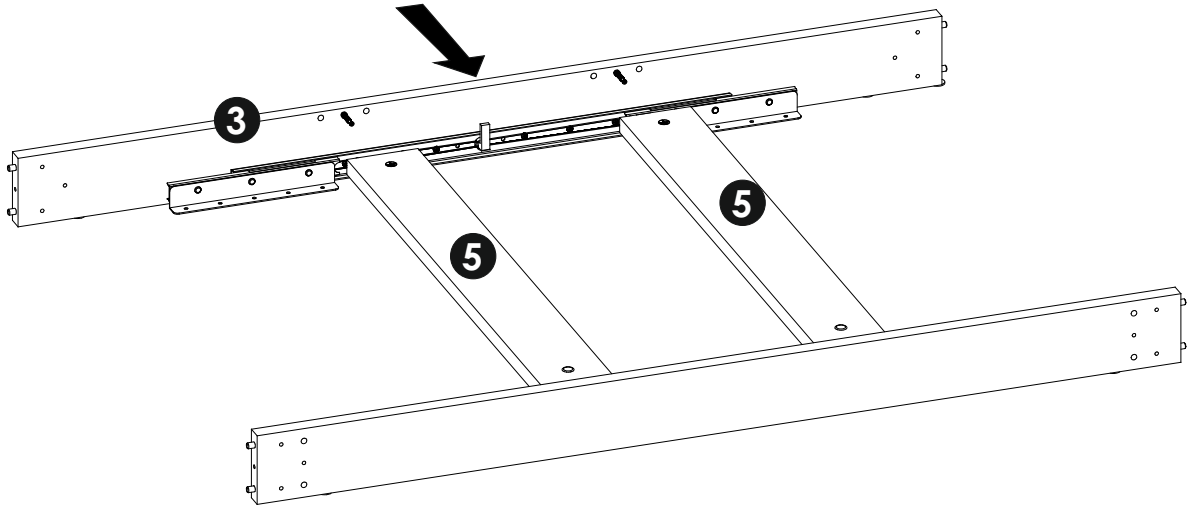
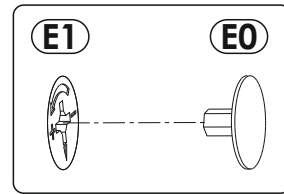
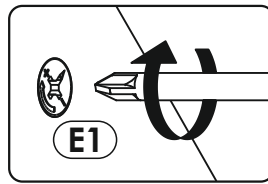
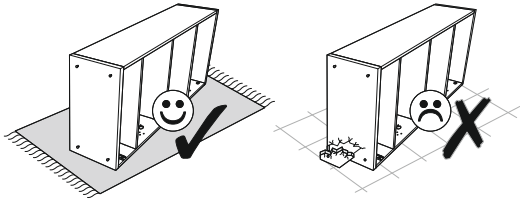
2 ▶



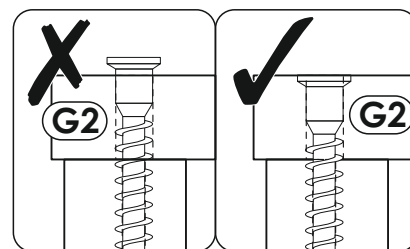
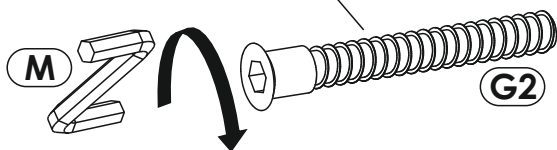
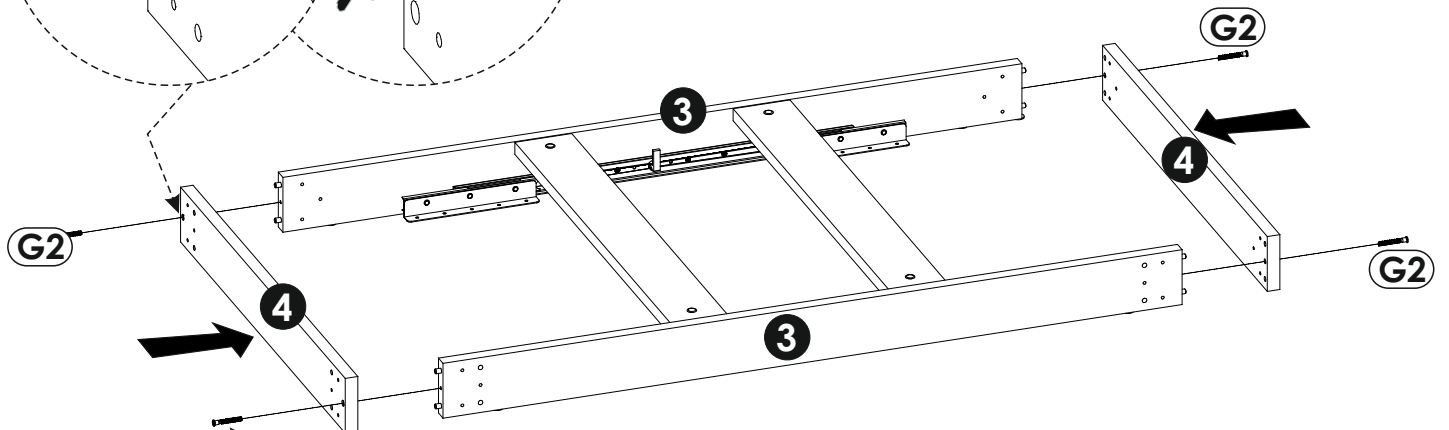
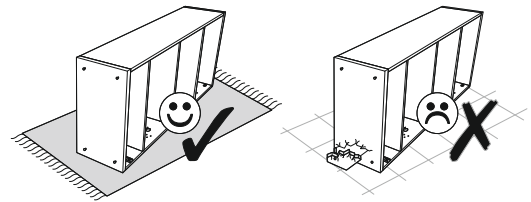
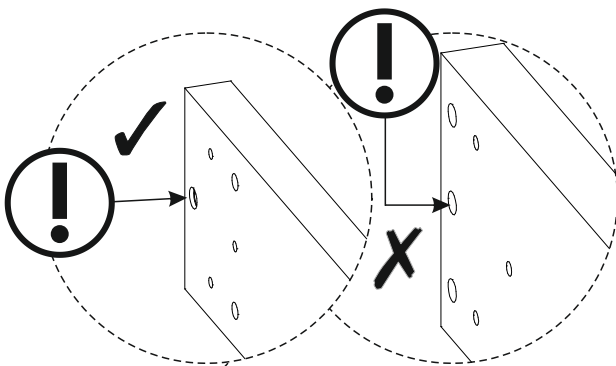
3 ▶



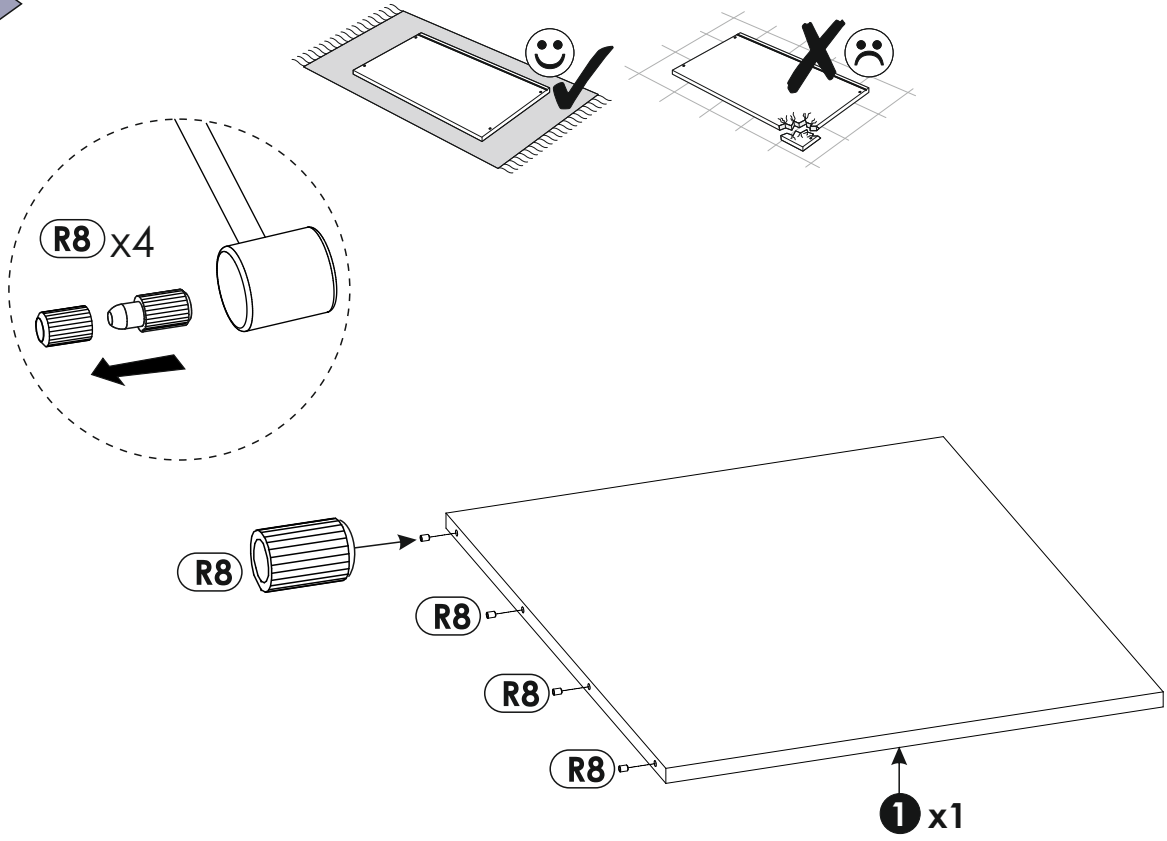
4 ▶



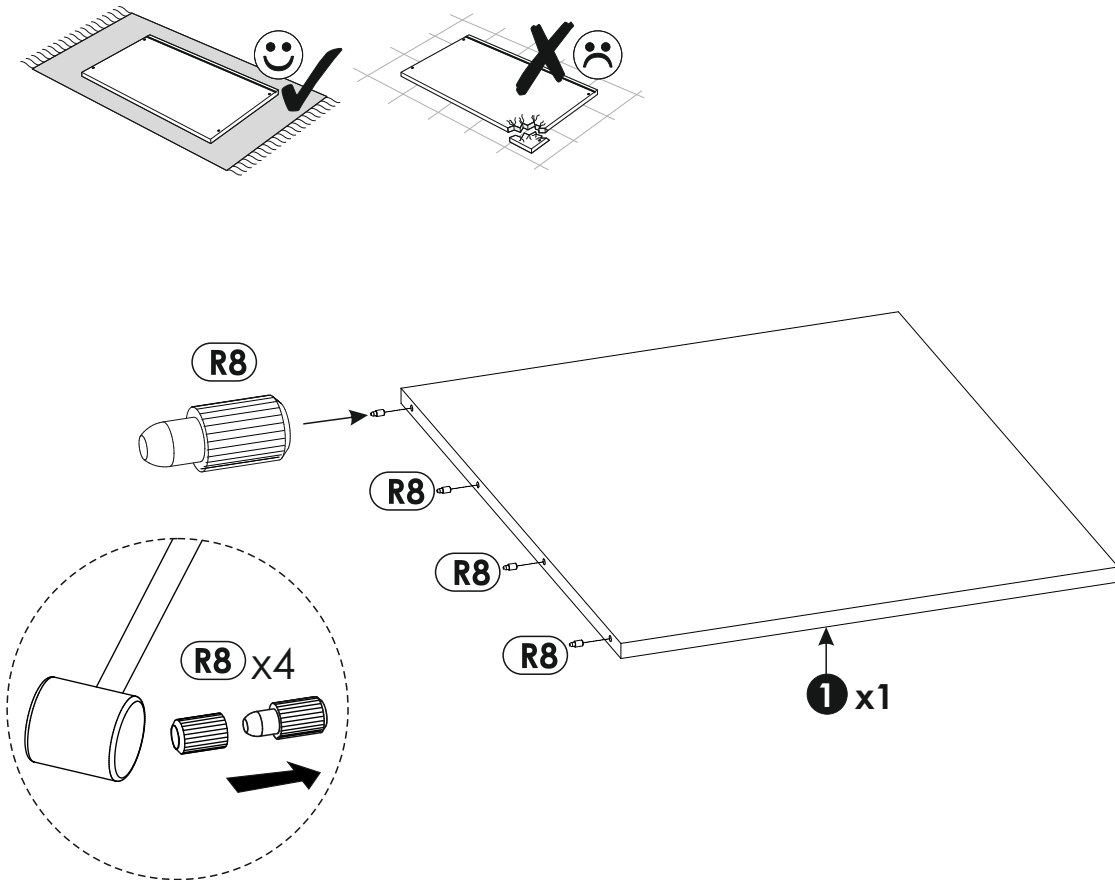
5 ▶



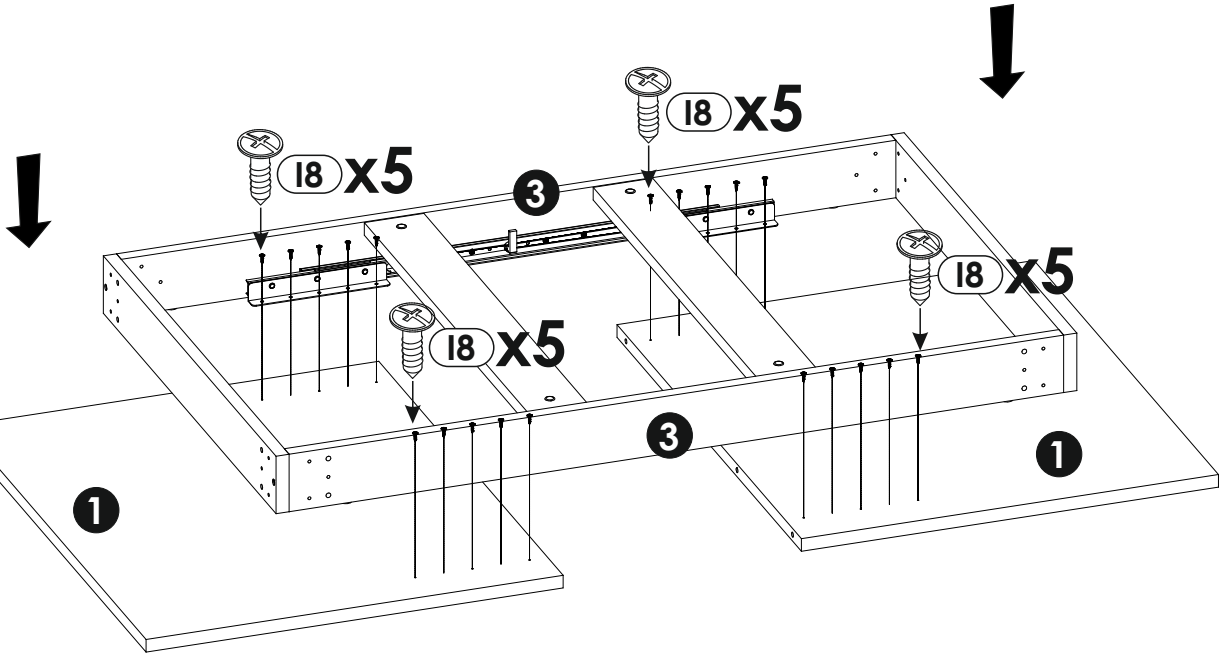
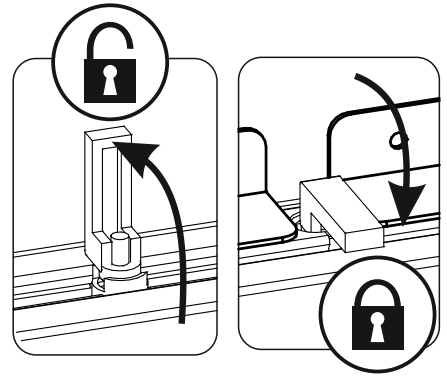
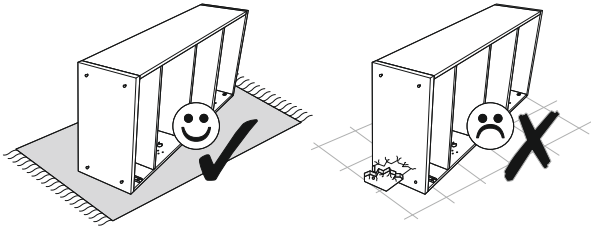
6 ▶



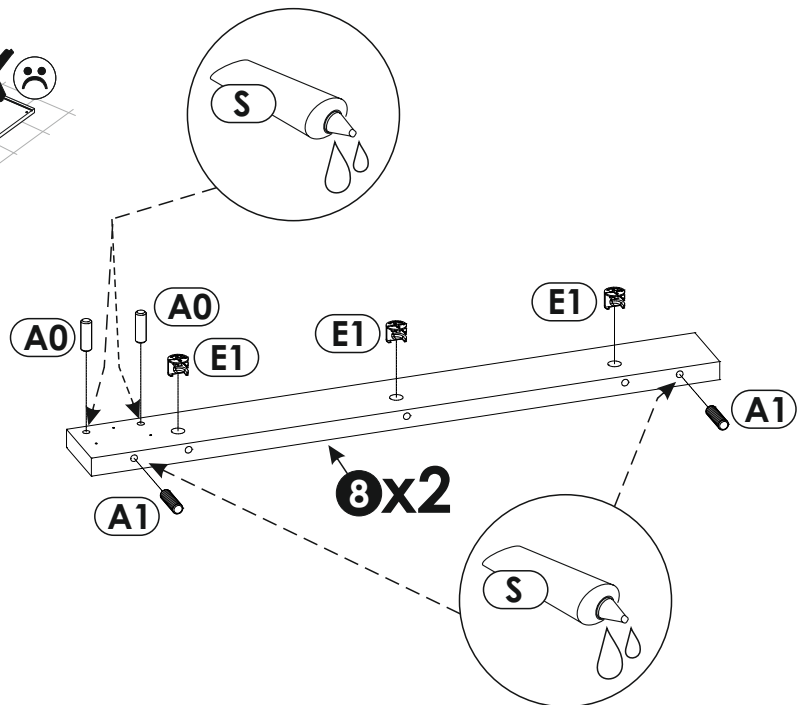
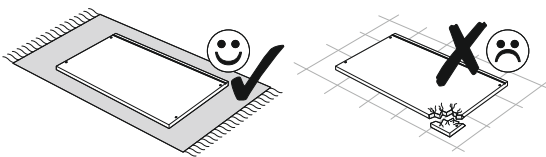
7 ▶



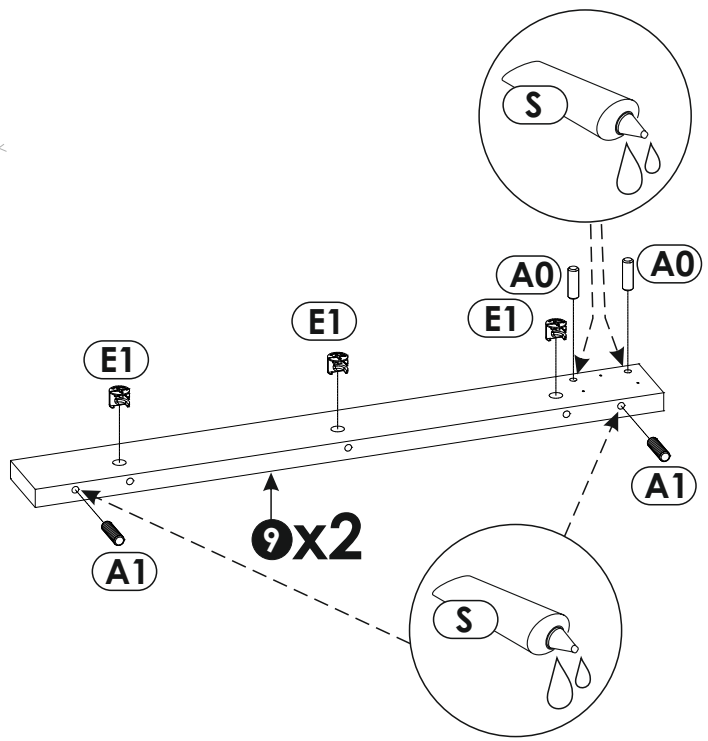
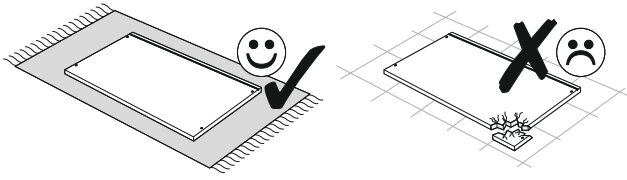
8 ▶



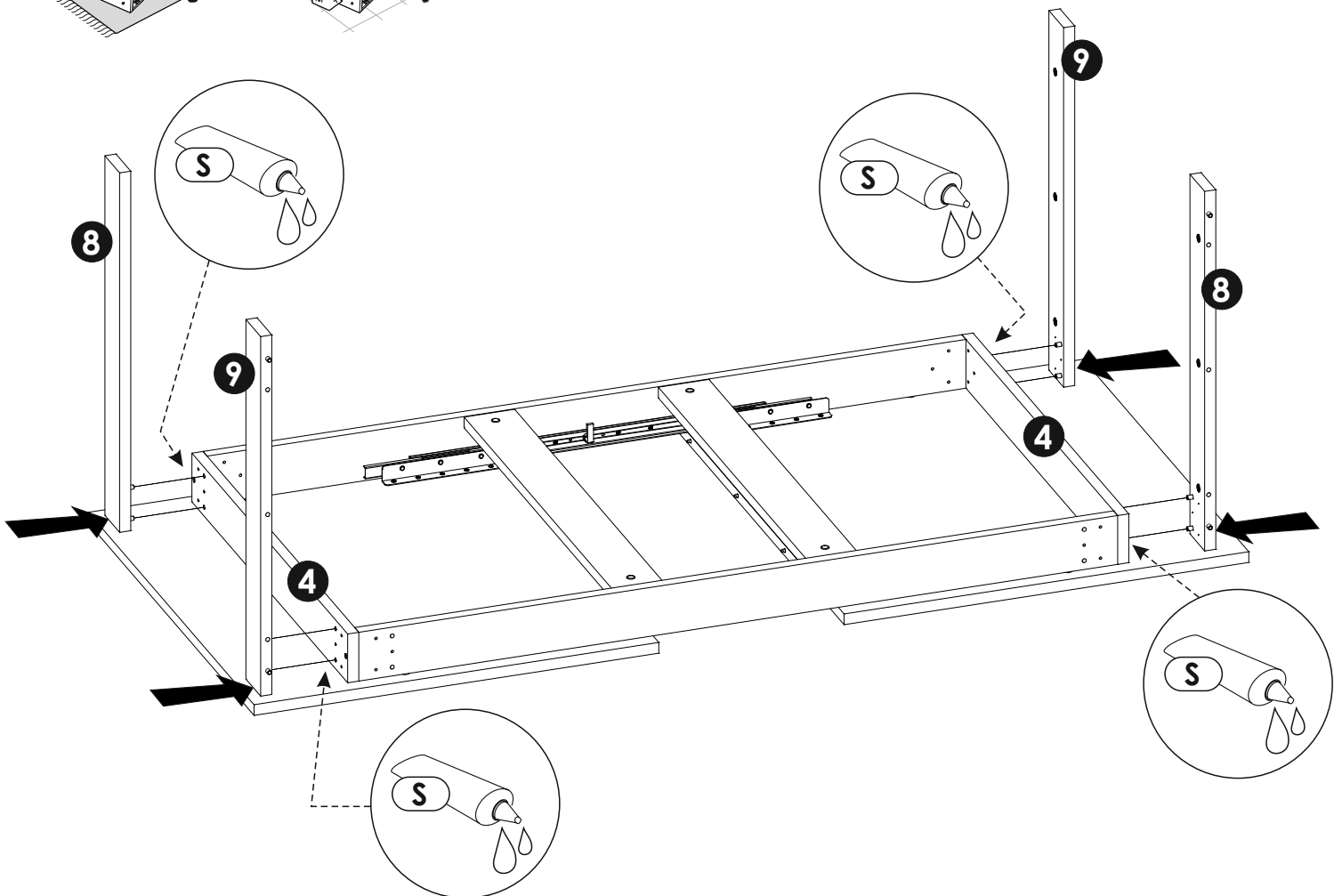
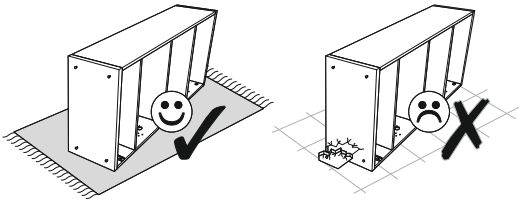
9 ▶



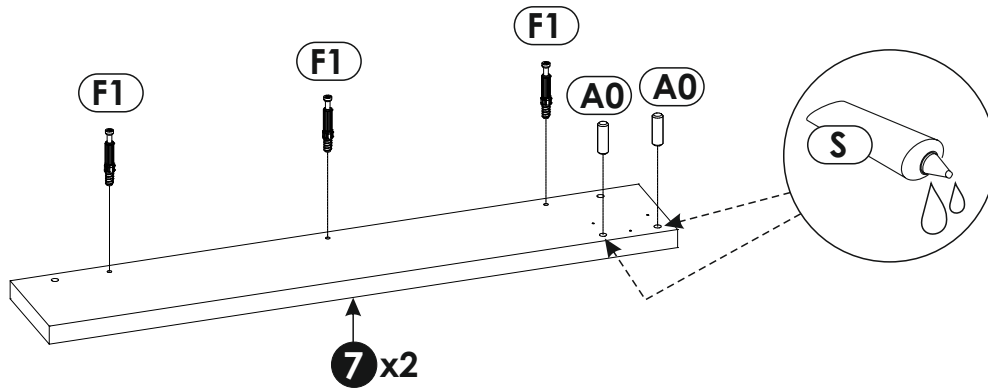
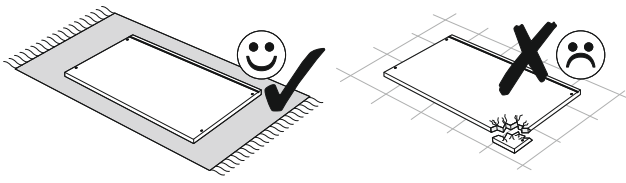
10 ▶



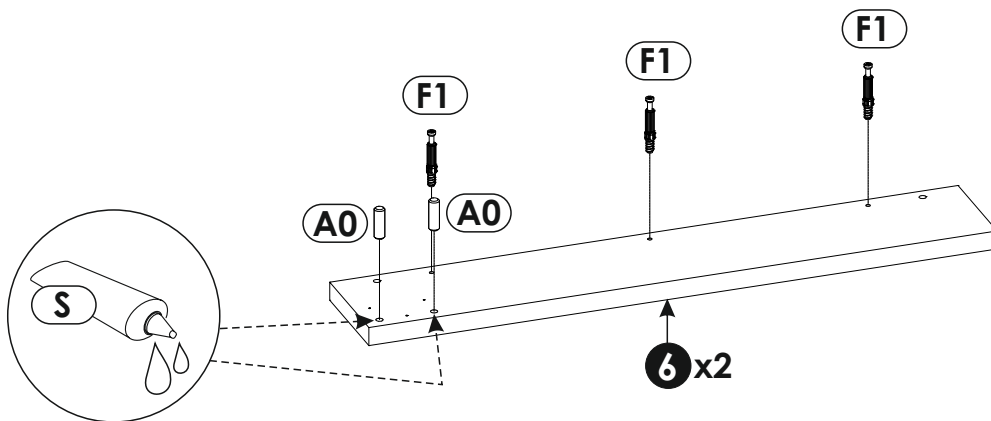
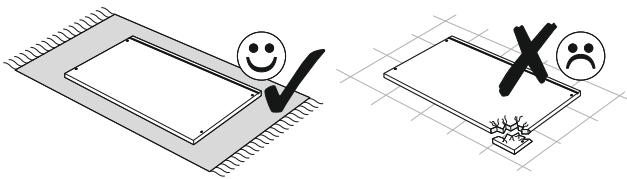
11 ▶



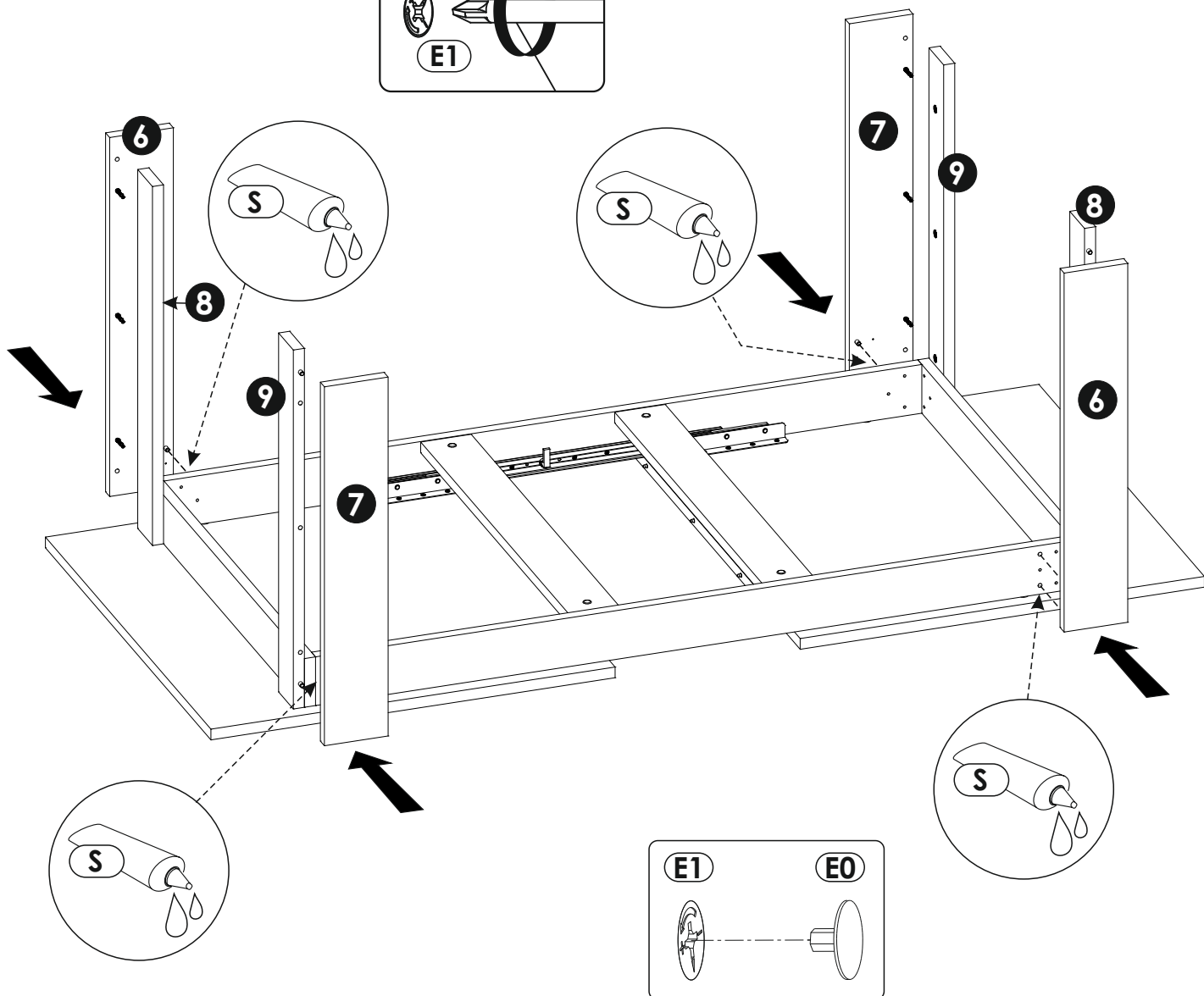
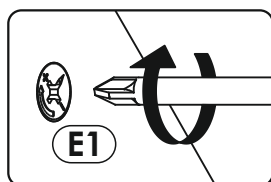
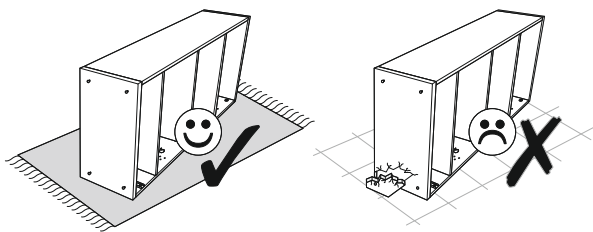
12▶



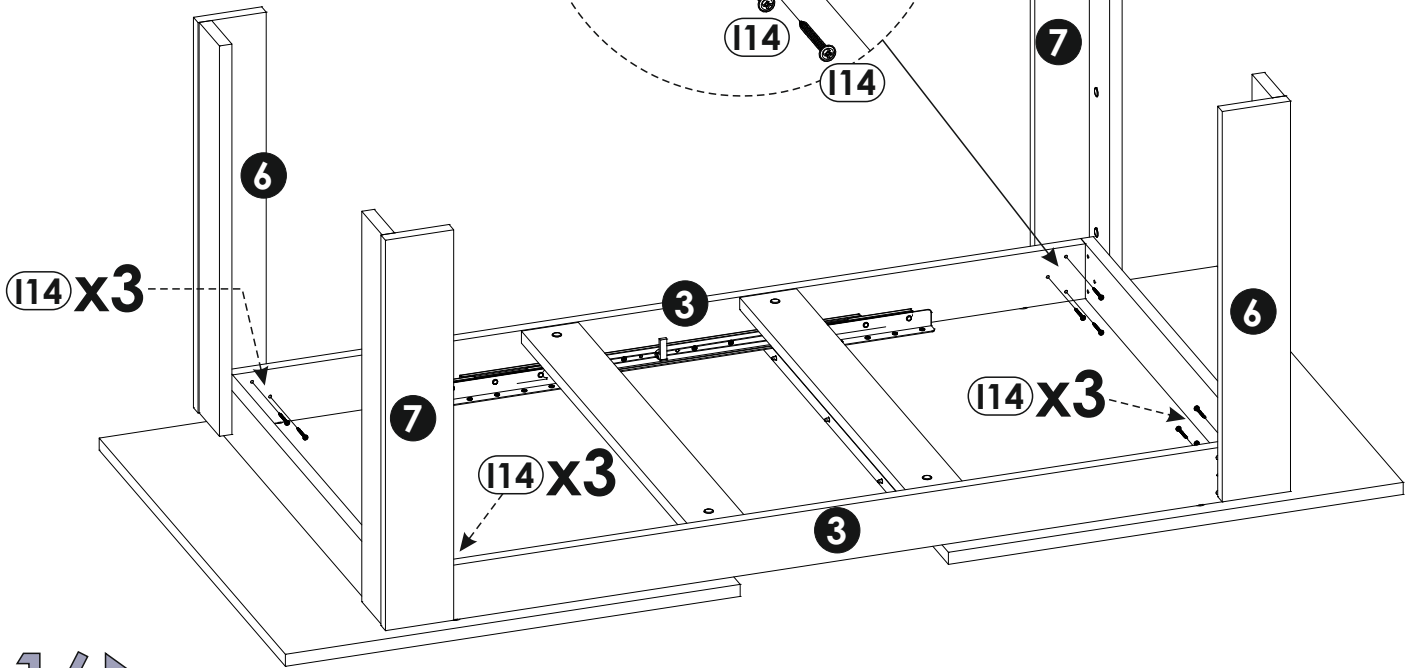
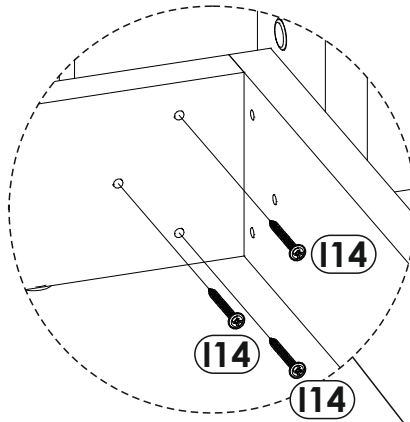
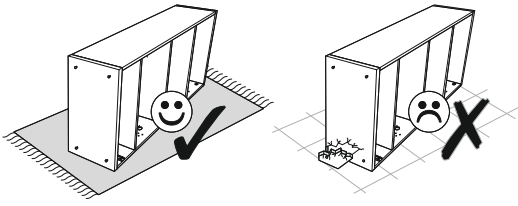
13▶



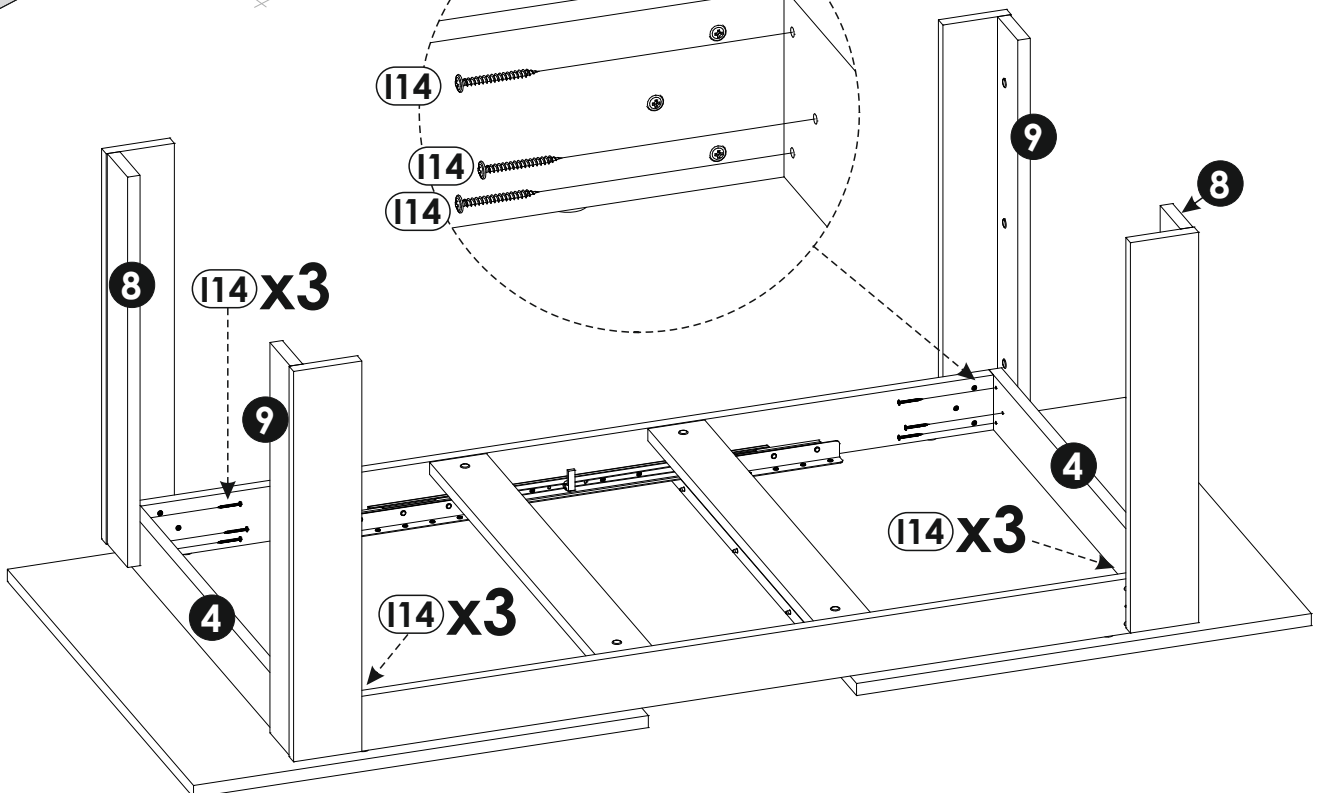
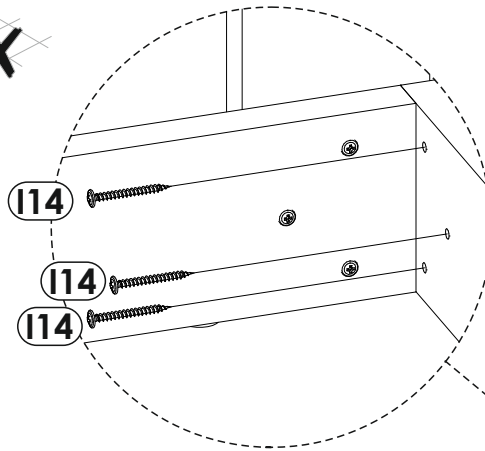
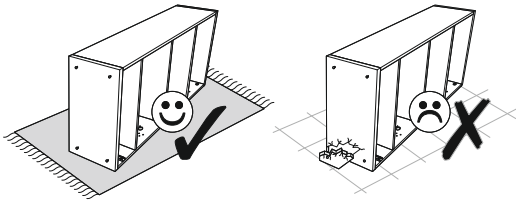
14▶



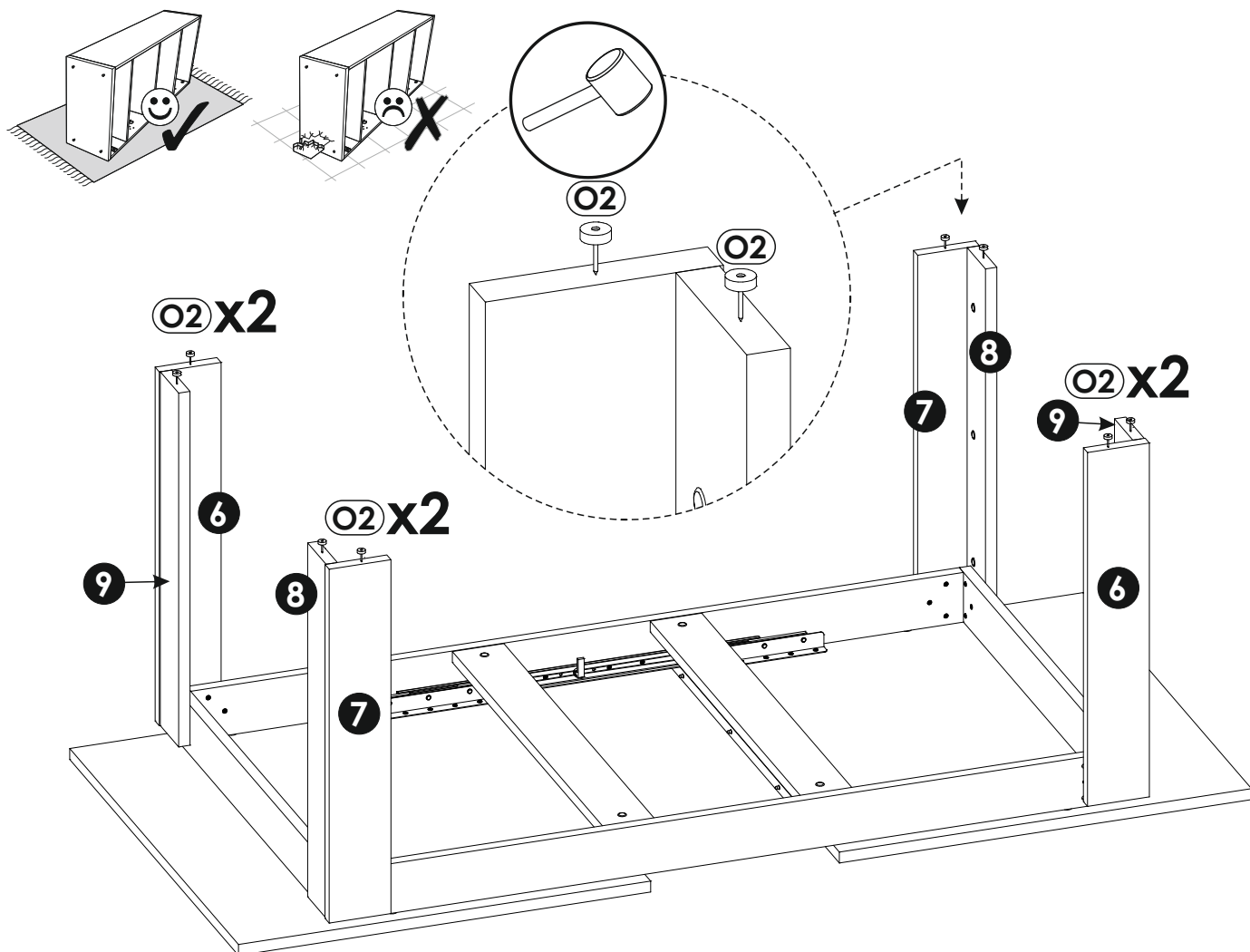
15 ▶



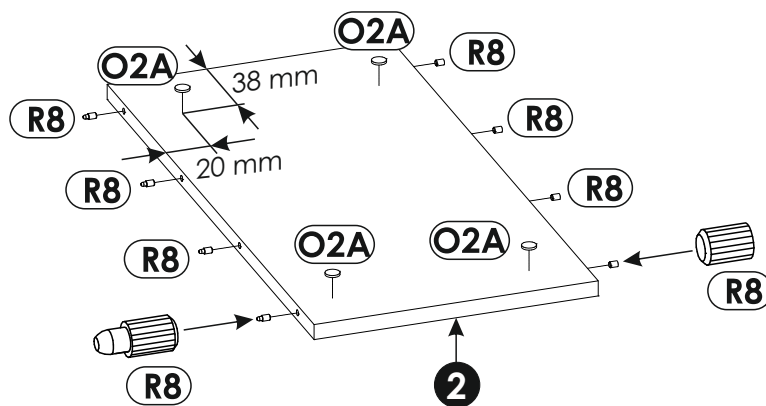
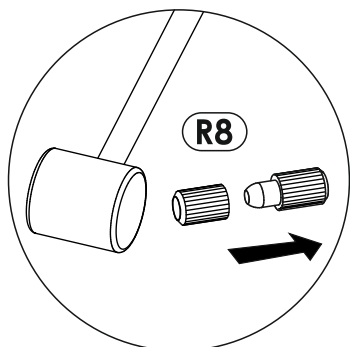
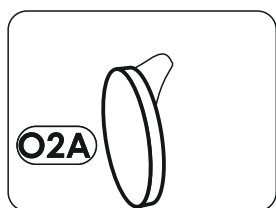
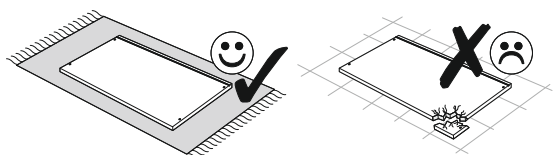
16 ▶



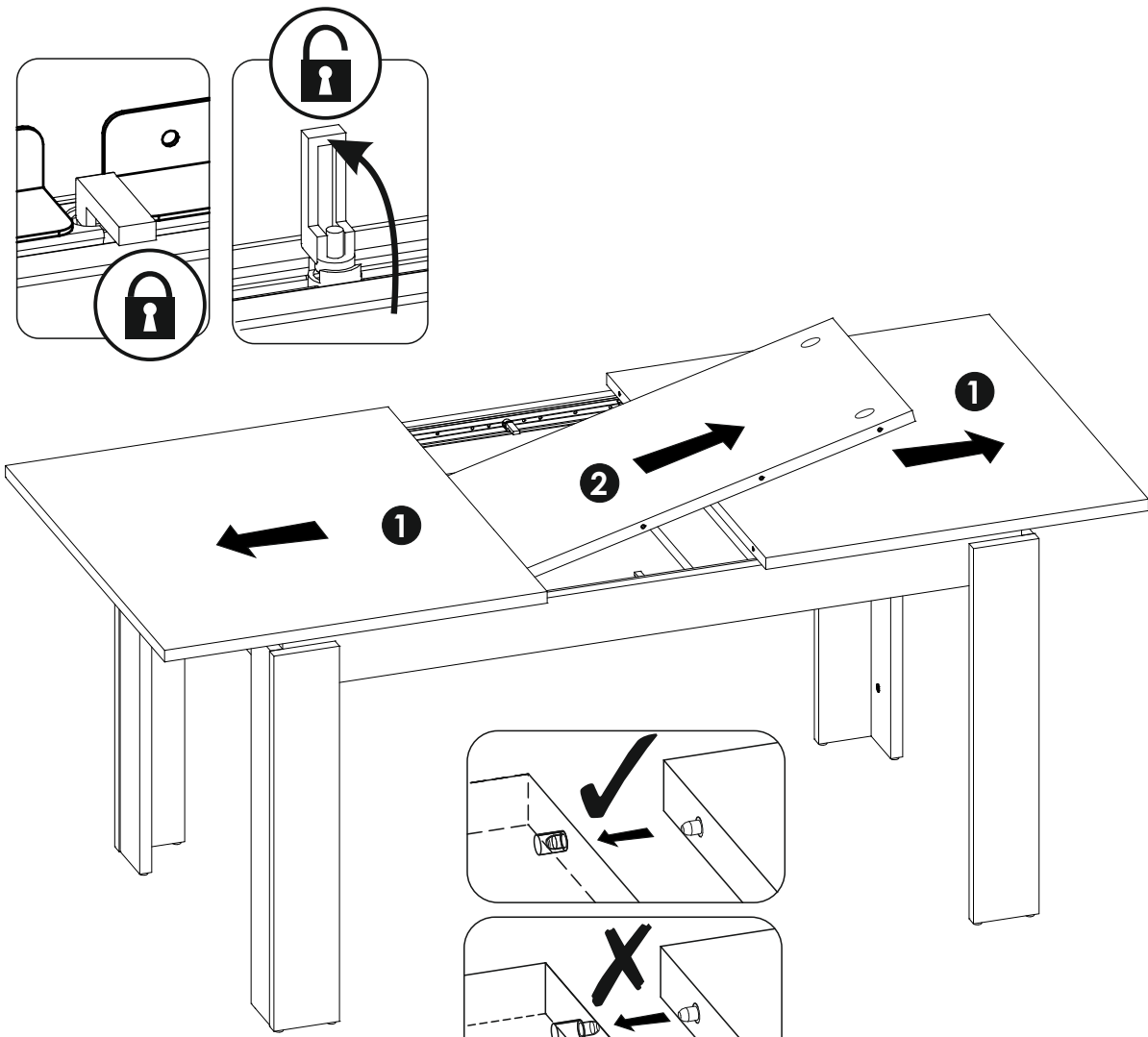
17 ▶



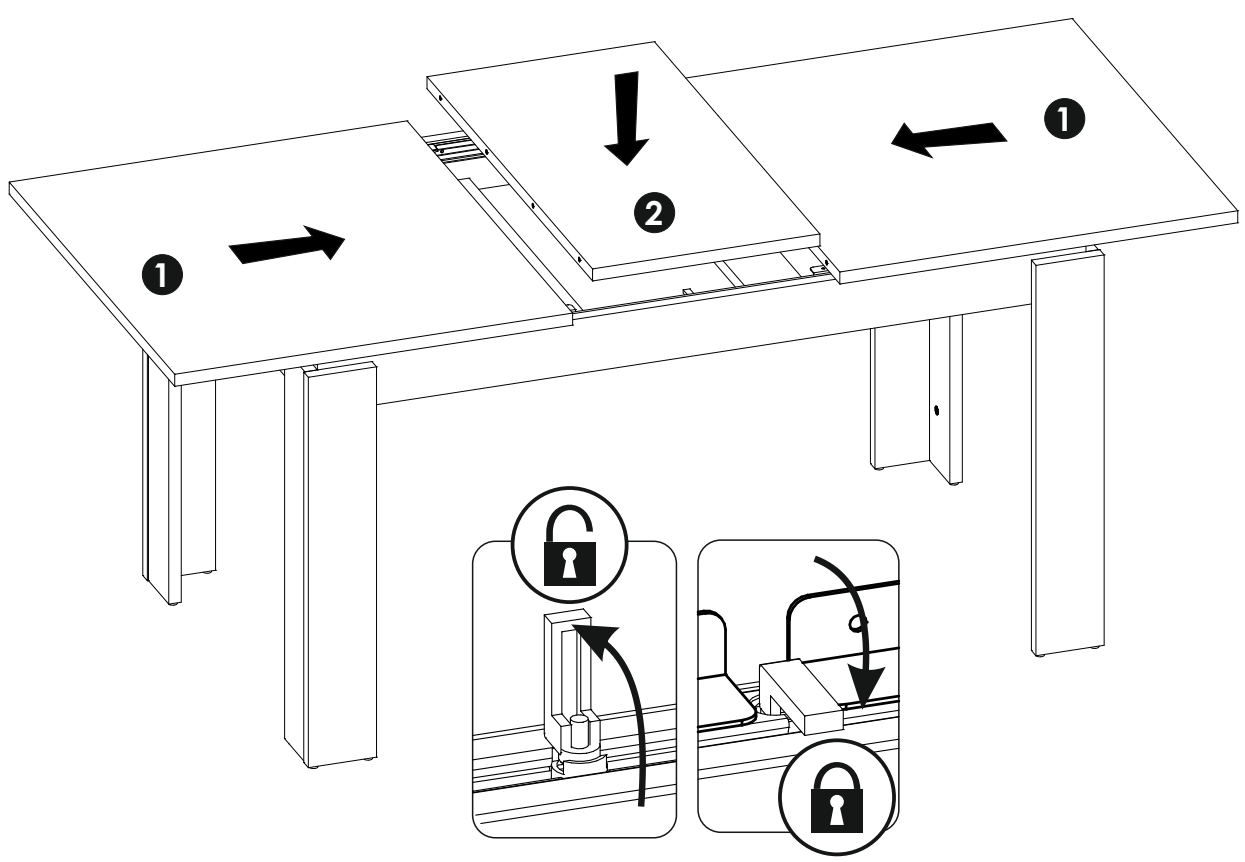
18 ▶

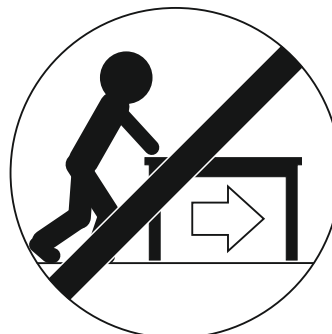
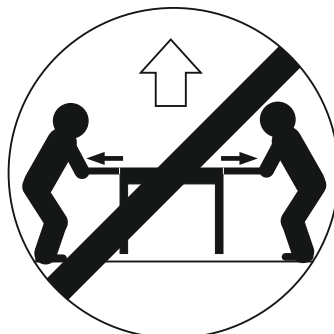
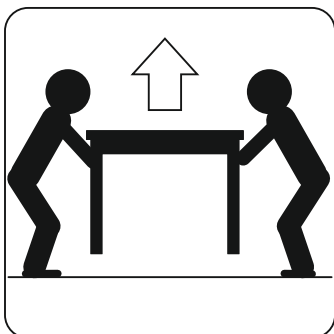
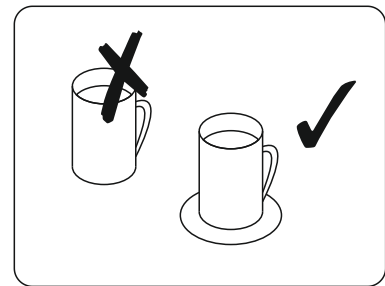
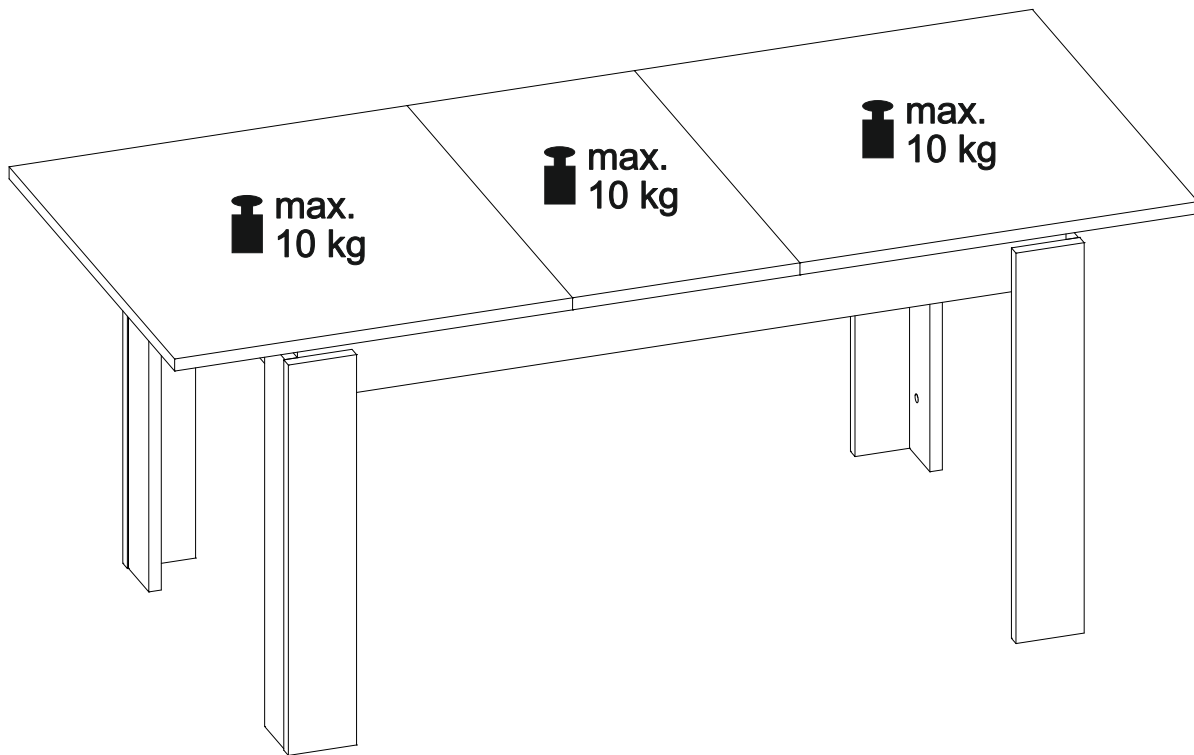


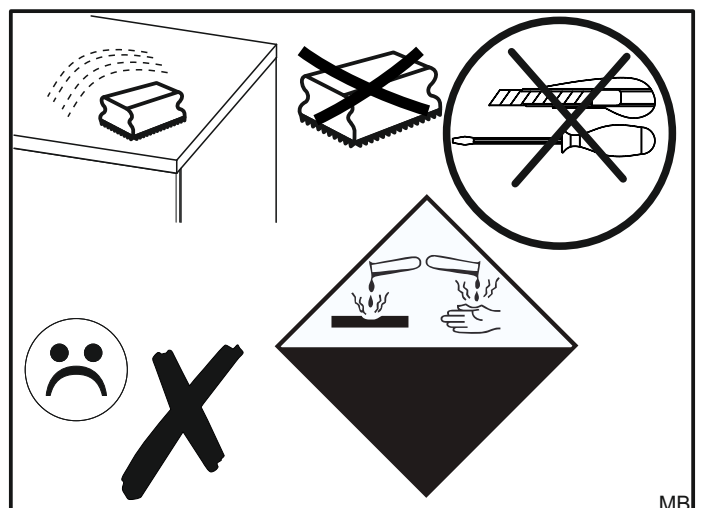
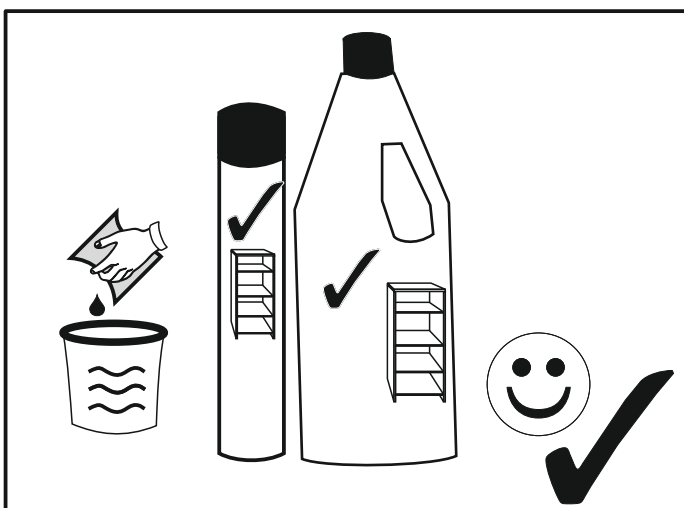
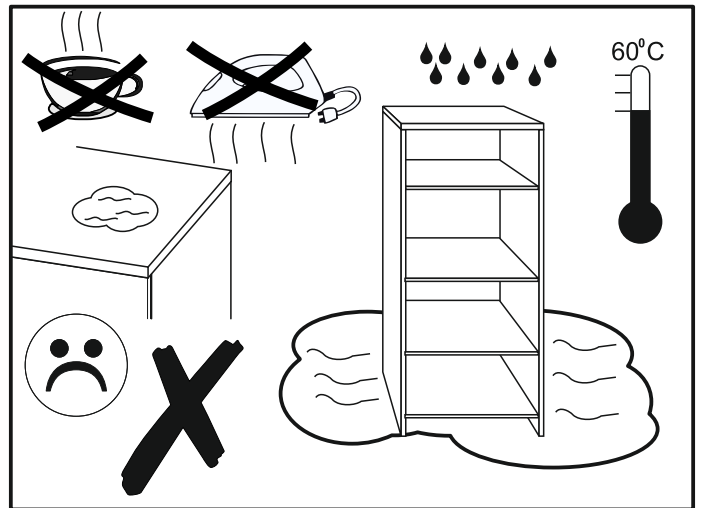
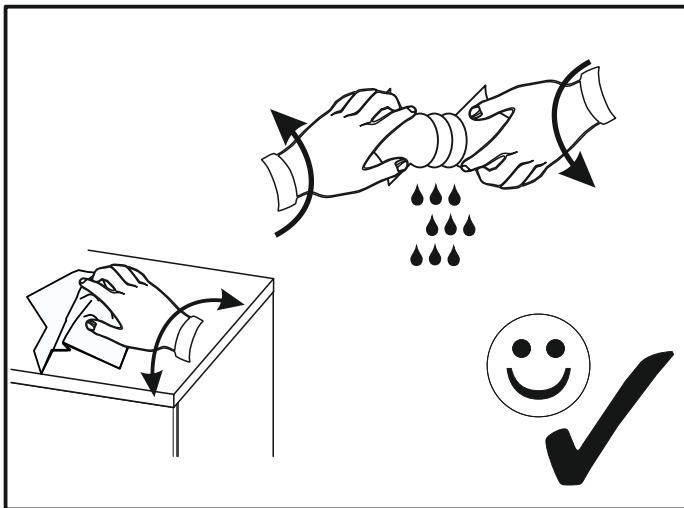
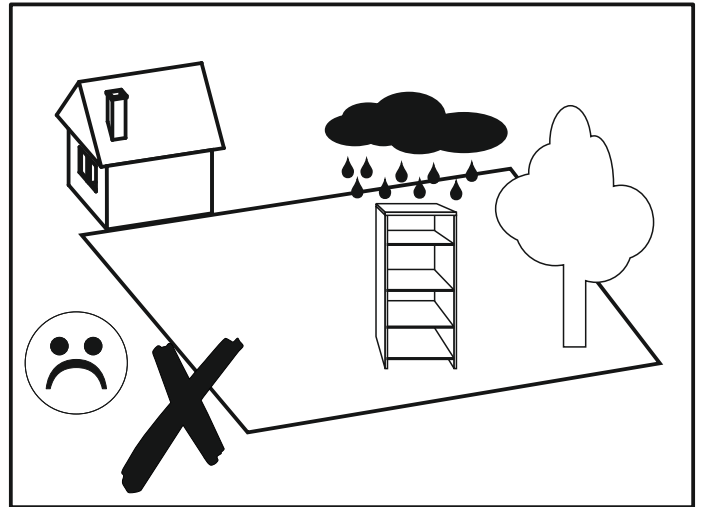
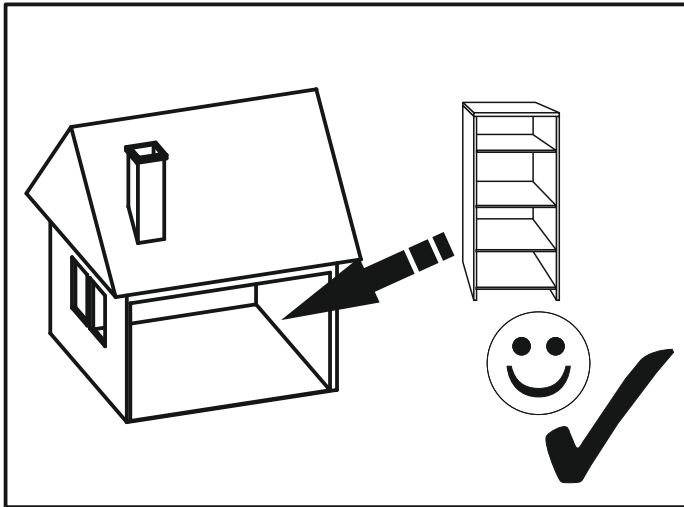
19▶



20▶







MB